



Spare parts list

(13967030) K 5.85M PLUS

2006 11

59706990

www.kaercher.com

EN

CONTENT LIST

1.0 Housing

- 1.1 Housing
- 1.2 Hose reel

2.0 Pump set

- 2.1 Cylinder head
- 2.2 Thrust guidance
- 2.3 Water intake

3.0 Motor

4.0 Accessories

- 4.1 Hand trigger gun
- 4.2 Jet pipe

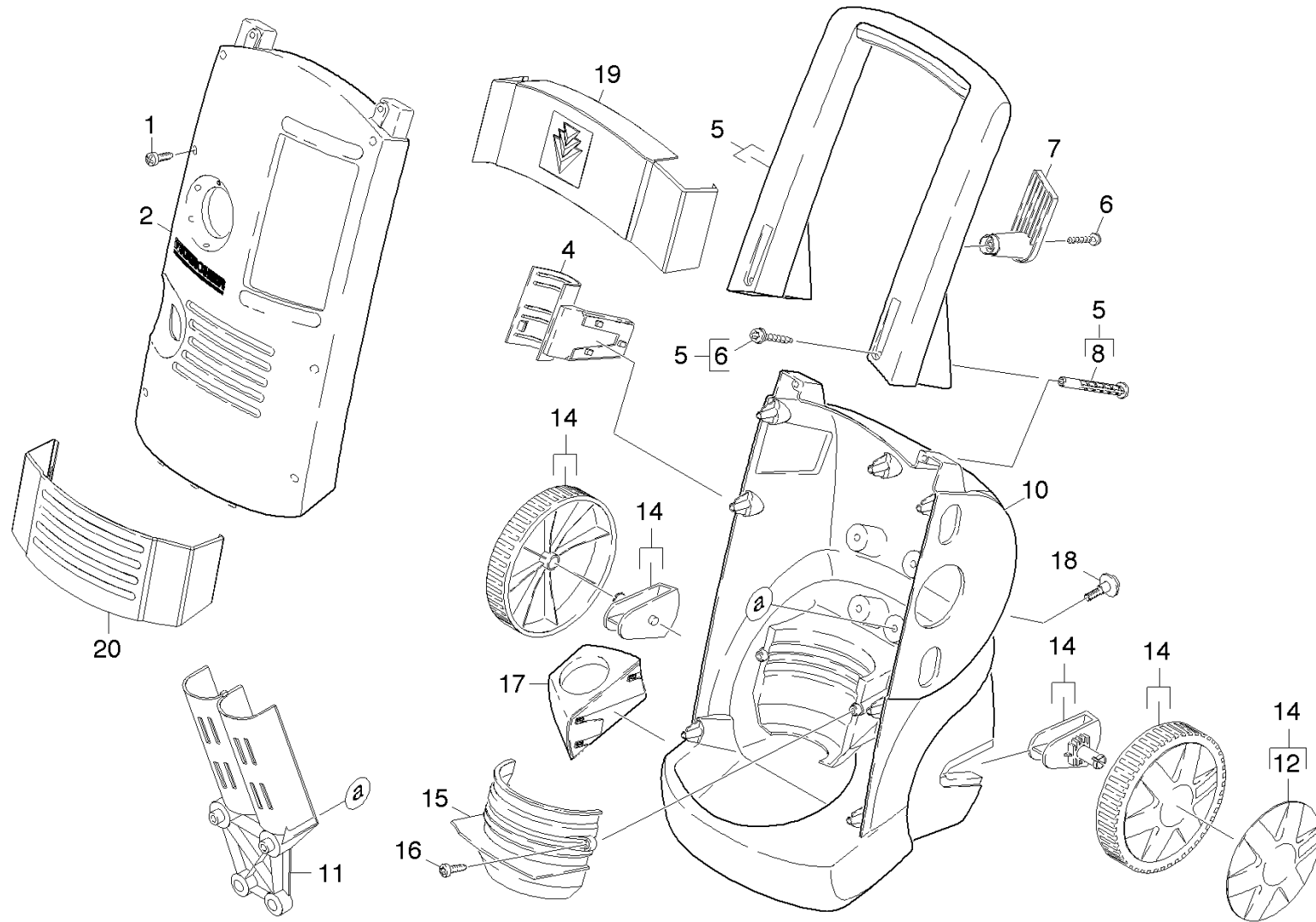
5.0 Electric box

1.0 Housing

1.1 Housing
1.2 Hose reel



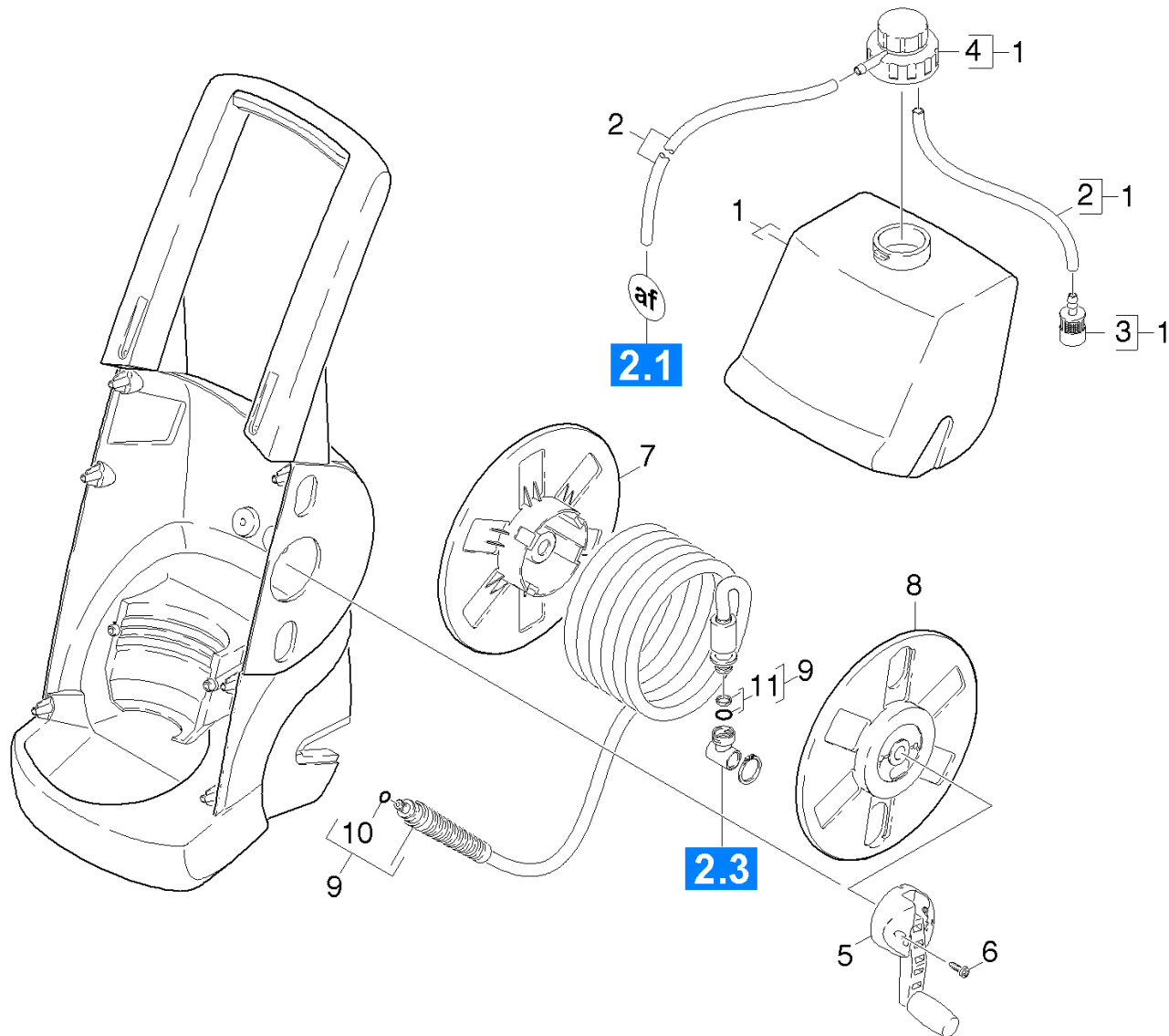
1.1 Housing



1.1 Housing

POS	DESCRIPTION ADDITIONAL INFORMATIONS	PART NO	QTY.	FROM SER.NR.	UP TO SER. NR.
1	Screw 4,2x 22	63031500	6		
2	Cover neutrally K5.85	50325290	1		
4	Holder pistol above	50446900	1		
5	Handhold complete K5	43211640	1		
6	SCREW	90861570	3		
7	Holder cable	50446320	1		
8	Bolt	53170950	2		
10	CHASSIS HINTEN K580	50323200	1		
11	Bracket accessories	56722790	1		
12	Wheel cab stainless steel	51159860	2		
14	SPARE PARTS KIT RAD / RADABDECKUNG	28845000	2		
15	Air circulation K580	56920660	1		
16	Screw 5x25 -10.9-R2R (In6Rd)	73031090	2		
17	Holder pistol bottom	50446910	2		
18	Screw M6x25 -8.8-R3R (In6Rd)	73060940	2		
19	Screen above	50448680	1		
20	Screen bottom	50448690	1		

1.2 Hose reel



1.2 Hose reel

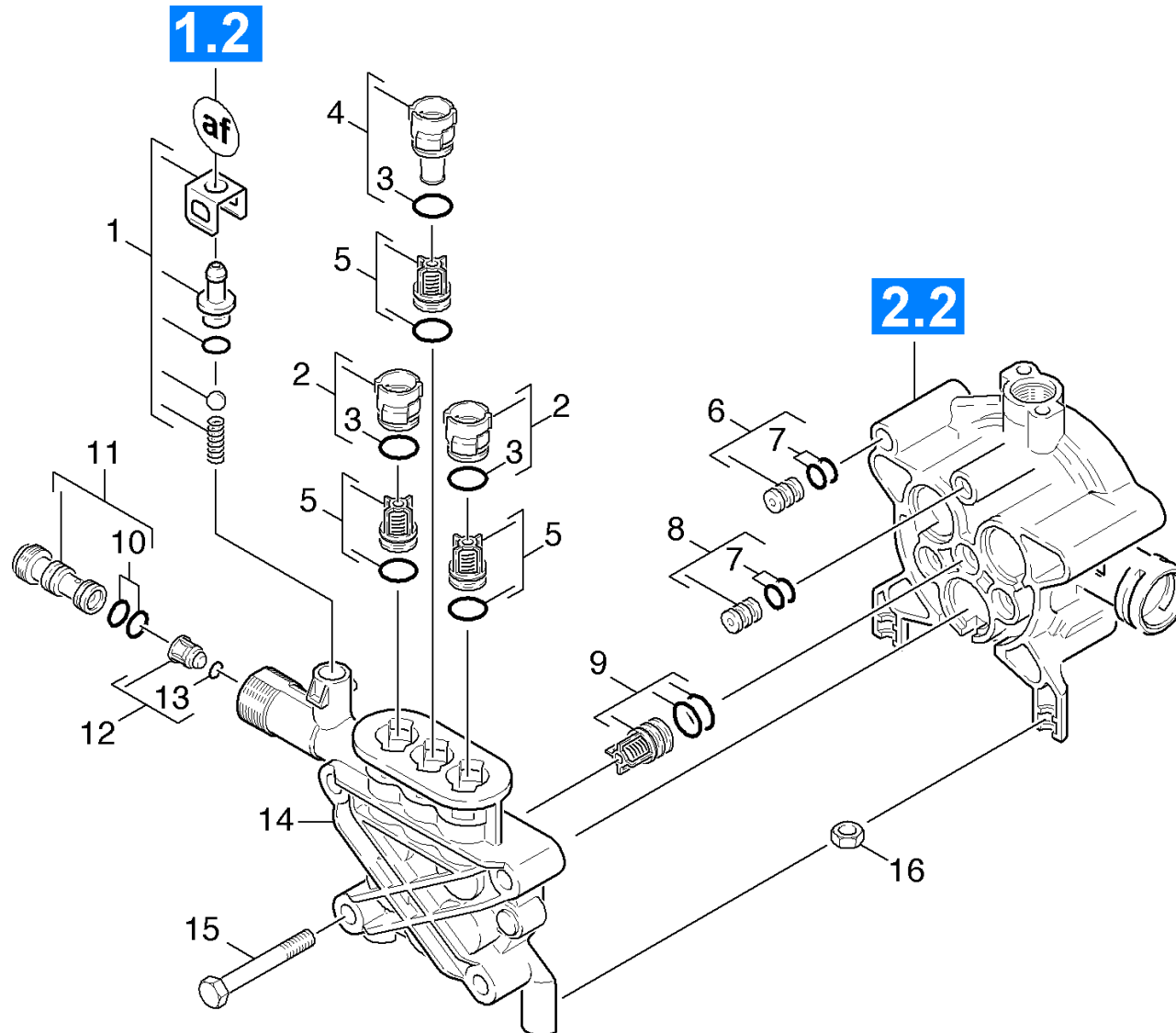
POS	DESCRIPTION ADDITIONAL INFORMATIONS	PART NO	QTY.	FROM SER.NR.	UP TO SER. NR.
1	TANK RM K580	40711380	1		
2	Hose DN 5 TO ORDER AS CUT GOODS	63882160	1		
3	Filter with weight	57316090	1		
4	Cover tank cleaning agents	40638070	1		
5	HOSE REEL -HD	47760290	1		
6	Screw 4,2x 22	63031500	2		
7	HOSE REEL Innenteil	57760120	1		
8	HOSE REEL	57760110	1		
9	High pressure hose 9/13MPa	63910900	1		
10	GASKET	63631980	1		
11	GASKET	63630310	1		

2.0 Pump set

- 2.1 Cylinder head
- 2.2 Thrust guidance
- 2.3 Water intake



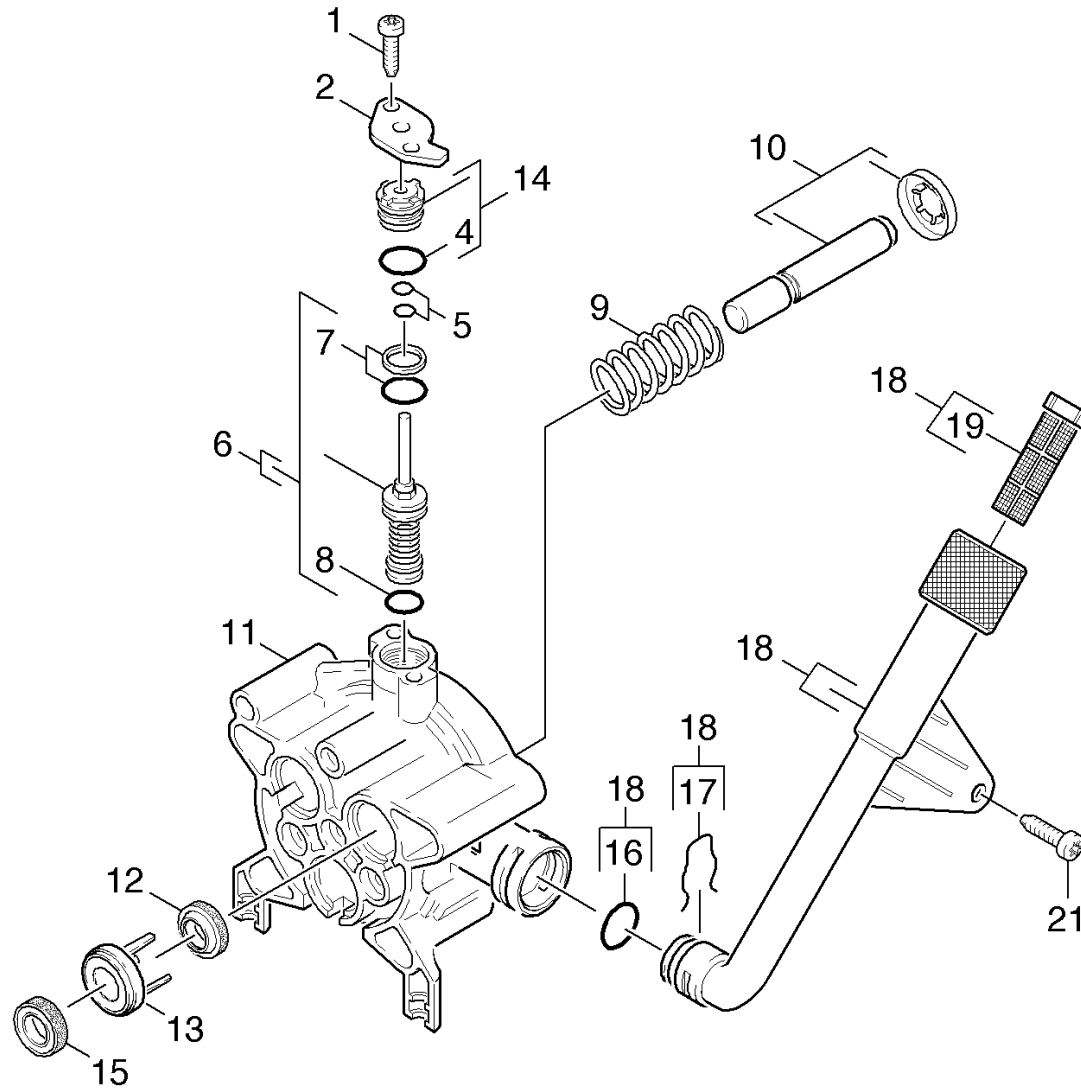
2.1 Cylinder head



2.1 Cylinder head

POS	DESCRIPTION ADDITIONAL INFORMATIONS	PART NO	QTY.	FROM SER.NR.	UP TO SER. NR.
1	Spare part set neutrally	28832580	1		
2	PLUG	41320100	2		
3	GASKET 11 X 2	63632730	2		
4	PLUG KPL	41320110	1		
5	Valve (3 Stueck)	28848730	1		
6	Throttle complete	40300700	1		
7	O RING 6.07X 1.78	63621760	2		
8	JOINING PIECE	40300450	1		
9	Valve (3 Stueck)	28848770	1		
10	O-Ring seal 9,0 x 1,5	63623840	1		
11	Nozzle insert	47690350	1		
12	VALVE PIN	45840220	1		
13	O-Ring d. 4 x 2 NBR 90	63628510	1		
14	Cylinder head	55502600	1		
15	Hexagonal head screw M8x80-8.8-A2E ISO	73040980	4		
16	Hexagon nut M6 -8-A2E ISO 4032	73110030	2		

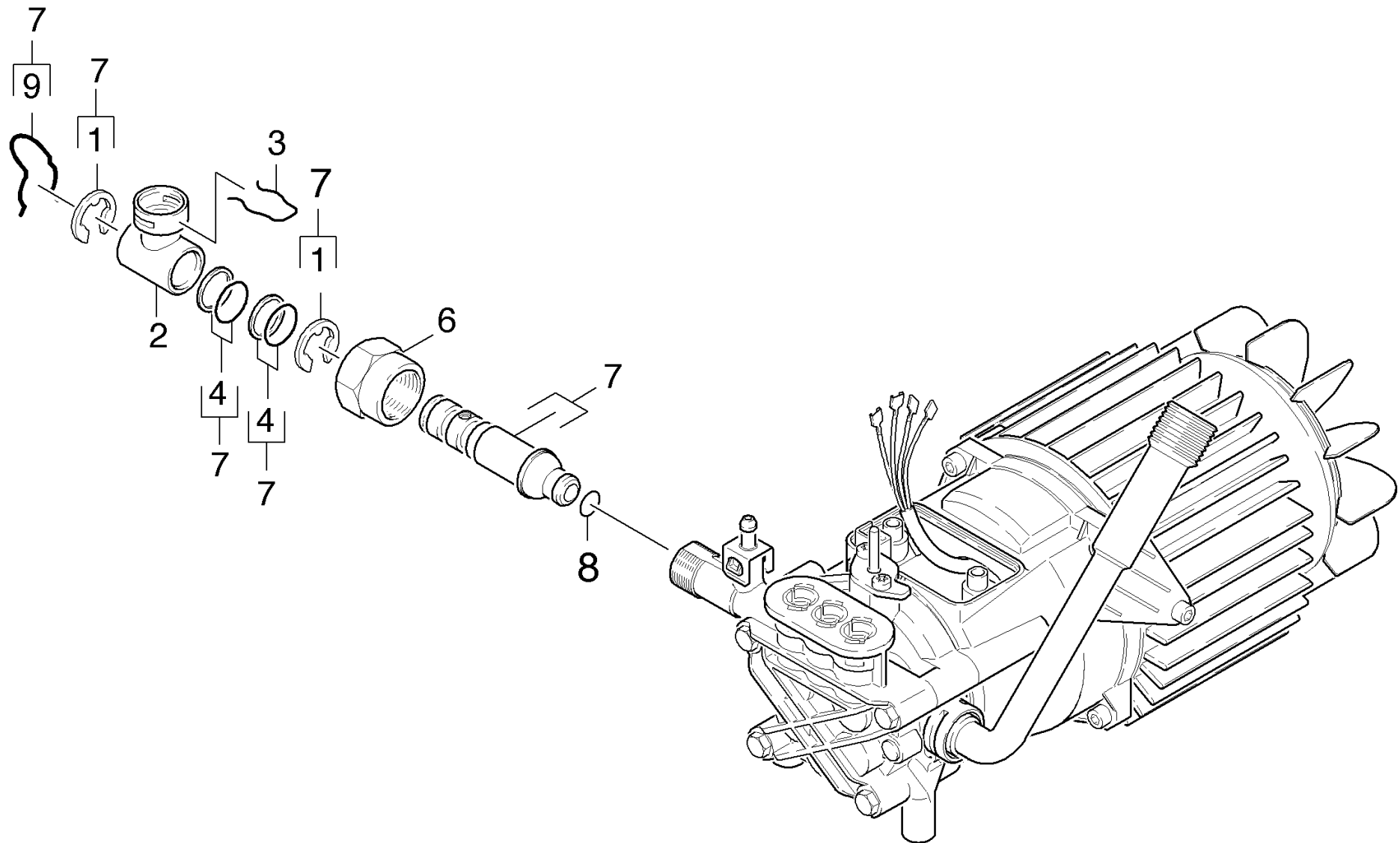
2.2 Thrust guidance



2.2 Thrust guidance

POS	DESCRIPTION ADDITIONAL INFORMATIONS	PART NO	QTY.	FROM SER.NR.	UP TO SER. NR.
1	Self-tapping screw M6x20	63032650	2		
2	COVER	50641270	1		
4	O RING 12.0 X 2.0	63621690	1		
5	GASKET	63628520	1		
6	Excess-current complete o.D. D5,3 PUR	45806680	1		
7	O-RING 12.42X1.78	63631740	1		
8	O-Ring seal 9 x 2-NBR 90	63629580	1		
9	Pressure spring	53323910	3		
10	Piston complete D12	45532760	3		
11	Piston guidance	50609430	1		
12	Oil sealing 12x20x4/6	63653930	3		
13	Washer K5..	51160780	3		
14	Moulded part complete only for replaceme	40300690	1		
15	GROOVED RING 12X20X5.3/2.8	63653940	3		
16	GASKET	63630380	1		
17	CLAMP	50489150	1		
18	Tube water intake complete	40330280	1		
19	FILTER	57316200	1		
21	Screw M5x10 -St-P2R (In6Rd)	73030370	1		

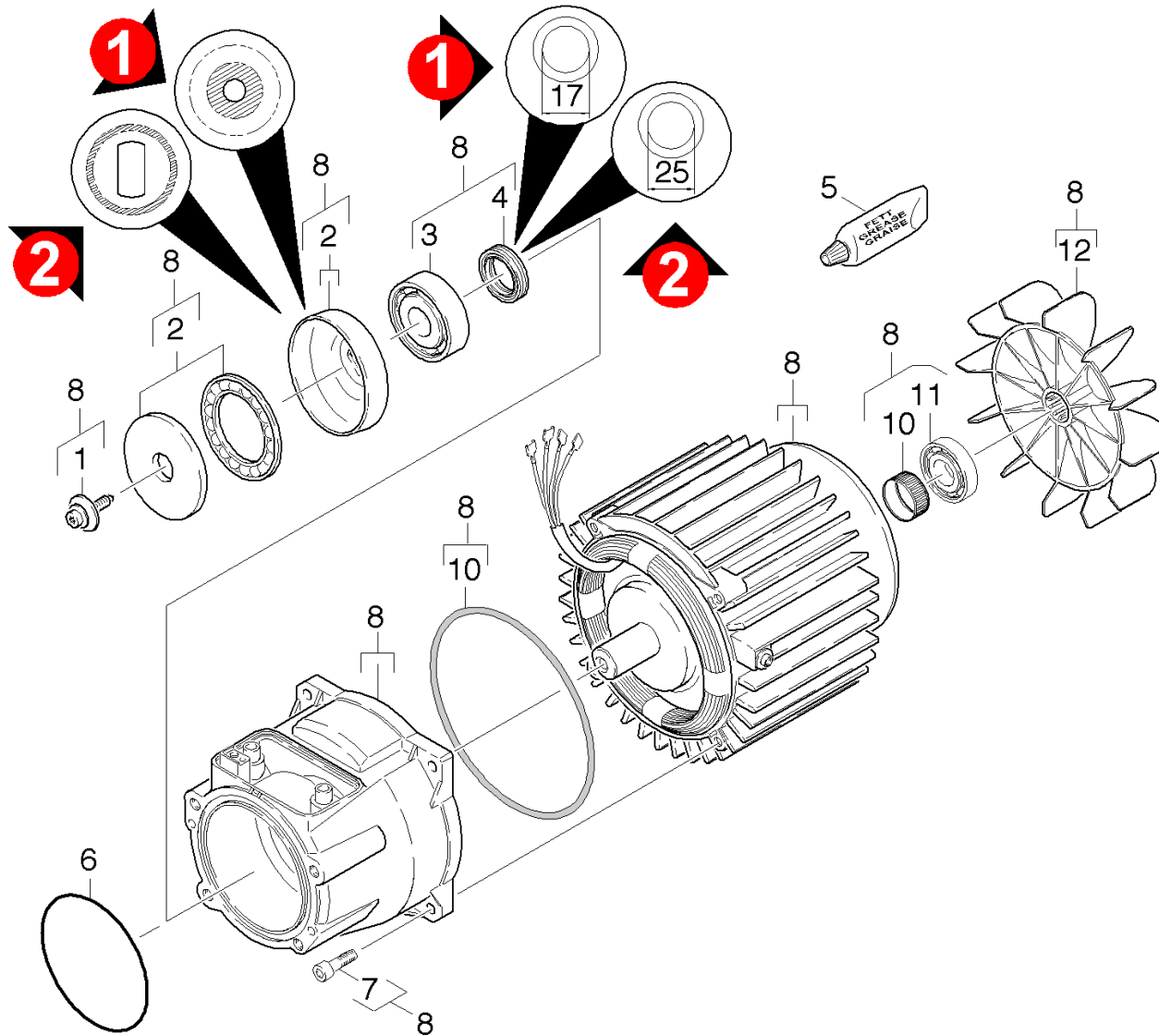
2.3 Water intake



2.3 Water intake

POS	DESCRIPTION ADDITIONAL INFORMATIONS	PART NO	QTY.	FROM SER.NR.	UP TO SER. NR.
1	Lock washer 12-St-A2E DIN 6799	73433060	2		
2	Rotary bushing	54012750	1		
3	CLAMP	50593000	1		
4	GASKET	63630270	2		
6	Union nut BLL-15-St-A2K DIN3870	73831130	1		
7	Spare parts set hollow shaft K5	28848510	1		
8	O-Ring d. 10 x 2 NBR 70	63621510	1		
9	CLAMP	50594000	1		

3.0 Motor



3.0 Motor

POS	DESCRIPTION ADDITIONAL INFORMATIONS	PART NO	QTY.	FROM SER.NR.	UP TO SER. NR.
1	M6 X 19 TORX DRIVE W/WASHER SEMS CLASS	63040480	1		
2	Swash plate VERSION 2	64012210	1		
2	Swash plate VERSION 1	64014070	1		
3	Ball bearing 6303 -St DIN 625	74010100	1		
4	Radial shaft seal ring A17x35x7-NBR DIN VERSION 1	73670020	1		
4	Radial shaft seal ring A25x35x7-NBR DIN VERSION 2	73670080	1		
5	Viscous oil 50ml	69640920	1		
6	O RING 80 X 3	63624710	1		
7	Screw M 5x 20-St-R2R	63033200	4		
8	Motor complete replacement	46238910	1		
9	TOLERANCE RING	63432180	1		
10	Joint ring	53634660	1		
11	Ball bearing 6202-2RS -Wälzl.St DIN 625	74011280	1		
12	BLOWER WHEEL	56000770	1		

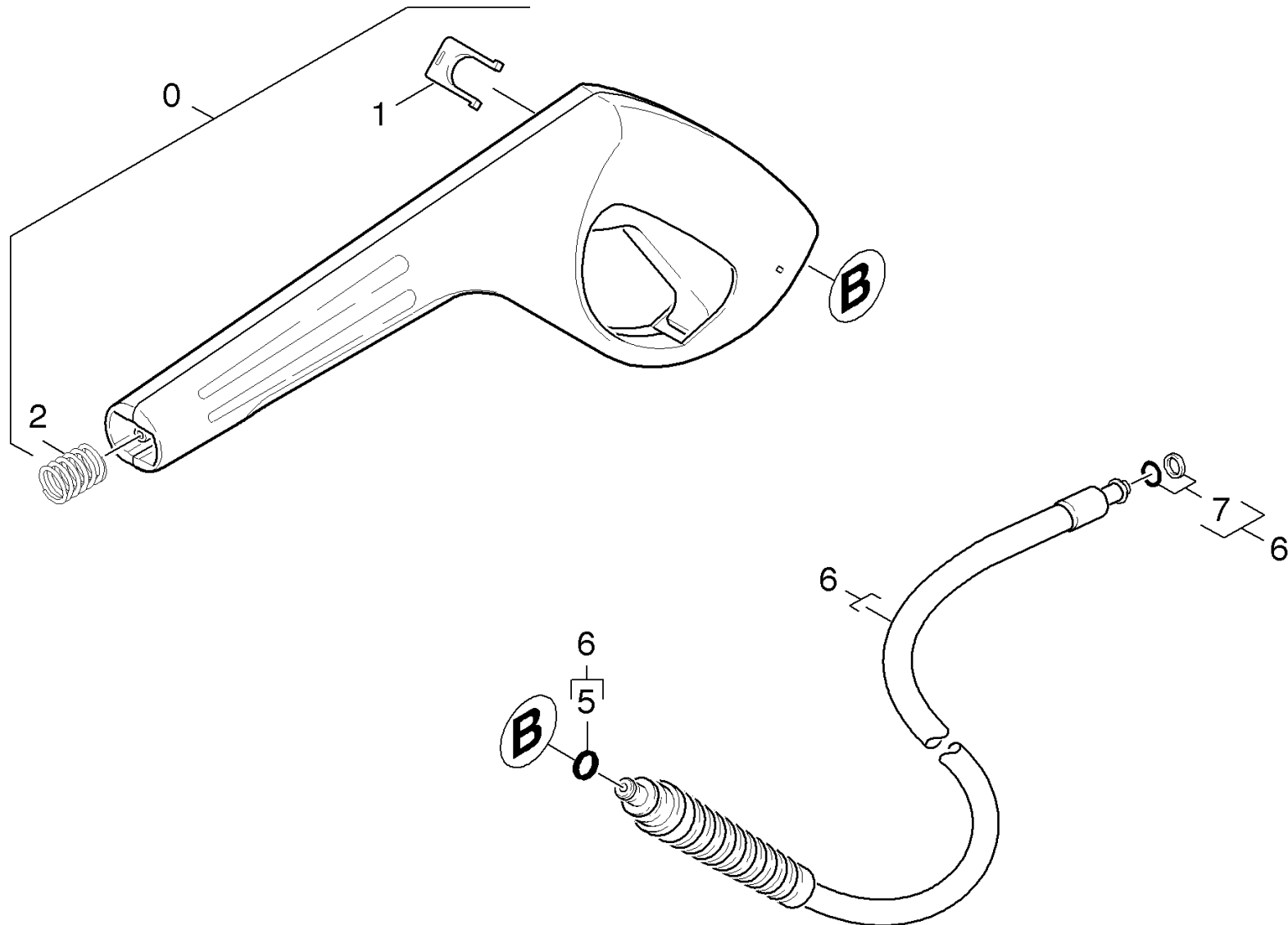
4.0 Accessories

4.1 Hand trigger gun

4.2 Jet pipe



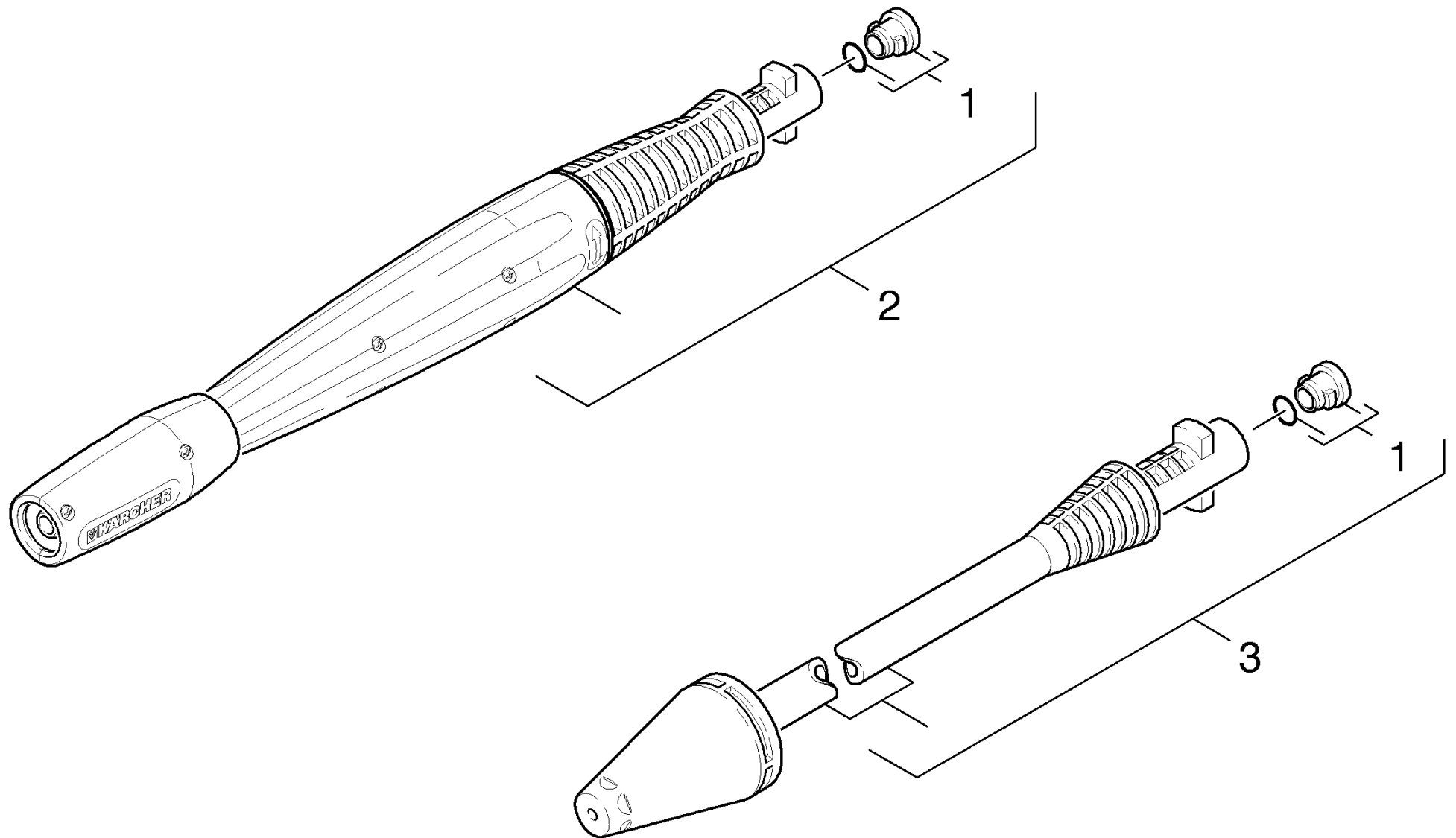
4.1 Hand trigger gun



4.1 Hand trigger gun

POS	DESCRIPTION	PART NO	QTY.	FROM SER.NR.	UP TO SER. NR.
	ADDITIONAL INFORMATIONS				
0	Pistol-M replacement packaged V1.1 RM K5	26412030	1		
1	CLAMP	50371400	1		
2	Pressure spring	53324640	1		
5	GASKET	63631980	1		
6	High pressure hose 9/13MPa	63910900	1		
7	GASKET	63630310	1		

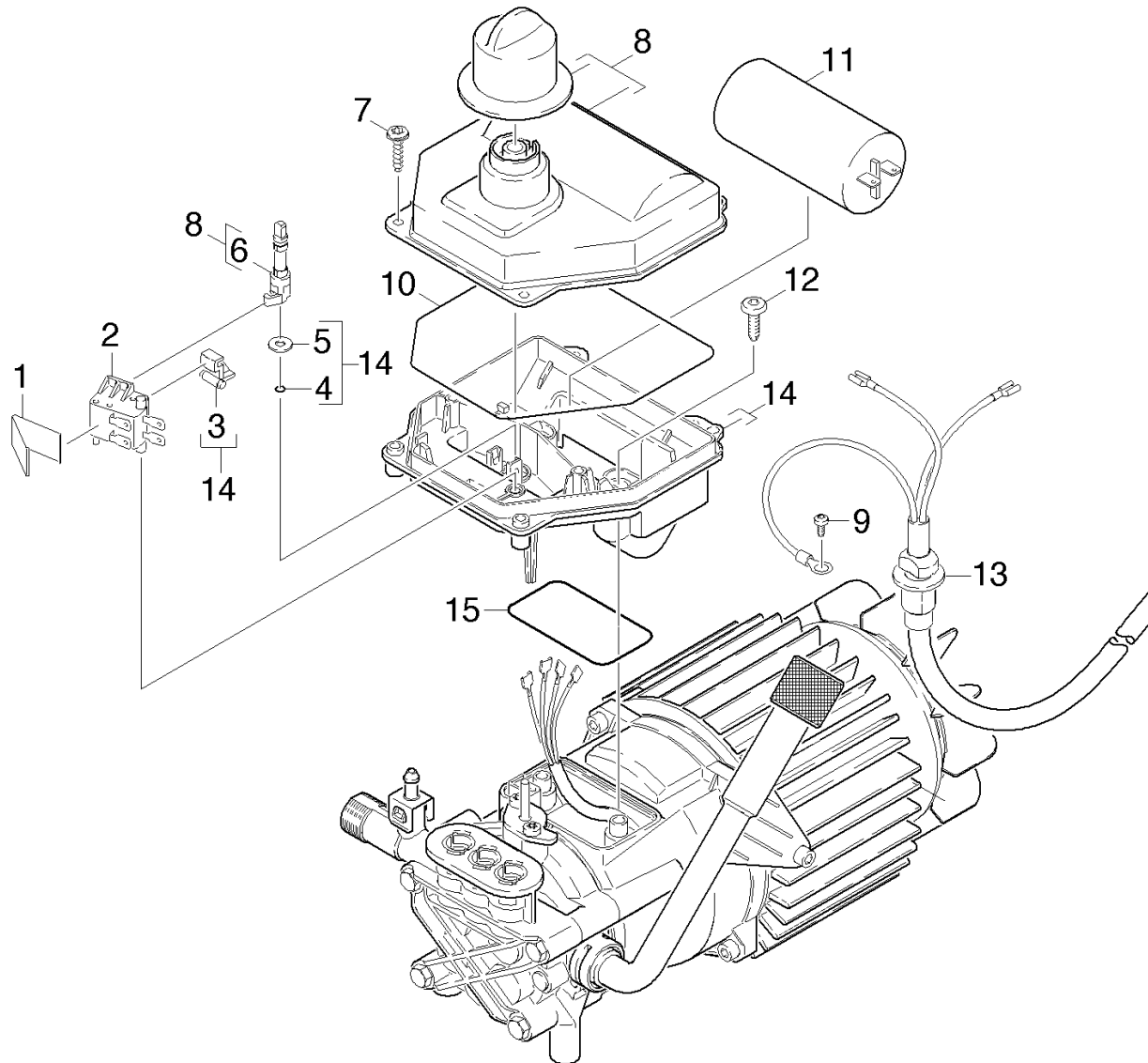
4.2 Jet pipe



4.2 Jet pipe

POS	DESCRIPTION ADDITIONAL INFORMATION	PART NO	QTY.	FROM SER.NR.	UP TO SER. NR.
1	O-Ring seal set	26407290	1		
2	VPS K5 0287	47605270	1		
3	Rotor nozzle 0295 Clas.Line verpackt	47639770	1		

5.0 Electric box



5.0 Electric box

POS	DESCRIPTION ADDITIONAL INFORMATIONS	PART NO	QTY.	FROM SER.NR.	UP TO SER. NR.
1	Plate spring	53370270	1		
2	MICRO SWITCH	66319460	1		
3	ROCKER	40470030	1		
4	RING	65060190	1		
5	WASHER	51156100	1		
6	SHAFT	51001920	1		
7	Screw 5x20-Sonder In6Rd+Spitze	63031250	4		
8	COVER E-KASTEN	40637650	1		
9	Screw M4x10 -St-P2R (In6Rd)	73030310	1		
10	CELLULAR RUBBER CORD 4	62731940	1		
11	CAPACITOR 65MUEF	90850360	1		
12	Screw M6x20 -St-R3R (In6Rd)	73030480	2		
13	CABLE mit Stecker *	66488330	1		
14	ELECTRIC BOX KPL.	48008520	1		
15	GASKET	63628870	1		